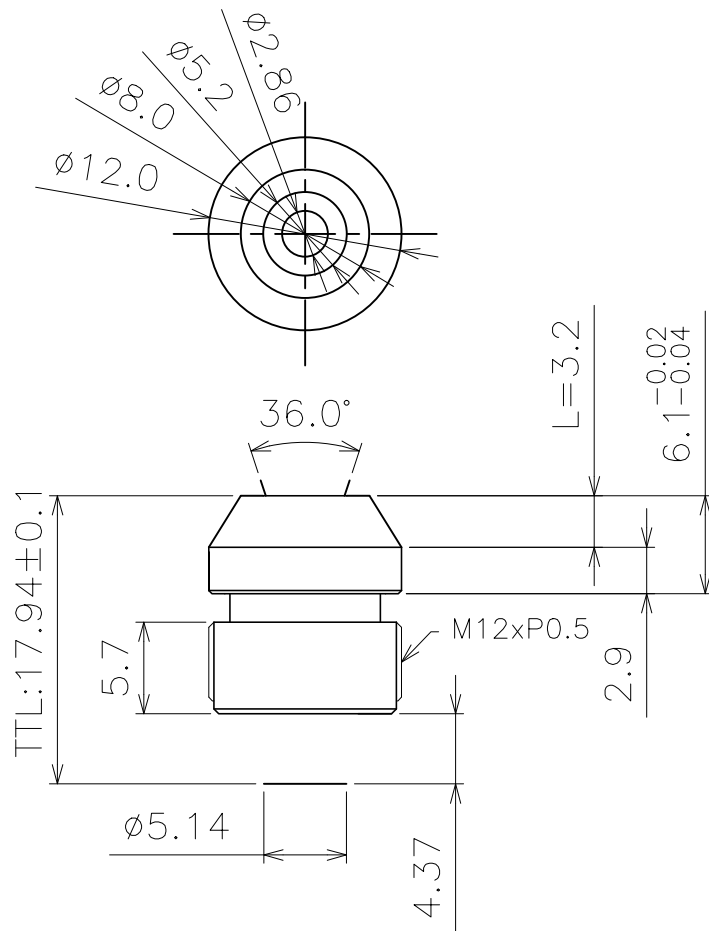


CONFIDENTIAL

REVISIONS					
ZONE	DATE	DESCRIPTION	DRAWN	CHECKED	APPROVED

SPECIFICATION: CAMERA LENS (AG03650)

1.	Sensor Size	1/3.2" Sony ISX017 (1280x720)	
2.	Image Height (mm)	5.14(D) x 4.48(H) x 2.52(V)	
3.	EFL	8.05±5%mm	
4.	F. No.	2.2±5%	
5.	FOV	Diagonal	36.0°±5%
		Horizontal	31°±5%
		Vertical	18°±5%
6.	BFL	5.47 mm	
7.	Relative Illumination	89% at Full Field	
8.	TV Distortion	-1.6%	
9.	TTL	17.94±0.1mm	
10.	Chief Ray Angle	10°±2°	
11.	Structure	1GM2G IRCF	
12.	Thread	M12 x P0.5	



AG OPTICS