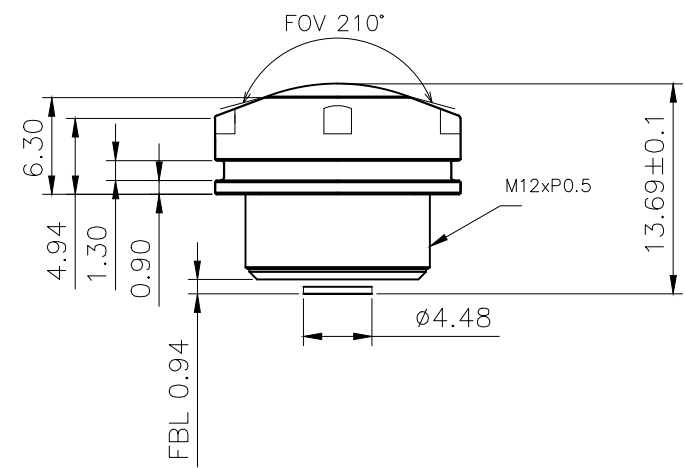
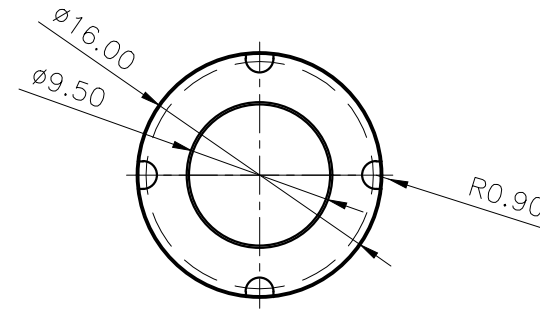


CONFIDENTIAL

REVISIONS					
ZONE	DATE	DESCRIPTION	DRAWN	CHECKED	APPROVED
△					

SPECIFICATION: CAMERA LENS (AG21038)

1.	Sensor	1/4" OX01D 1280x960, 2.8um	
2.	Image Height (mm)	4.48(D) x 3.58(H) x 2.69(V)	
3.	EFL	1.27mm±5%	
4.	F. No.	2.5±5%	
5.	FOV	Diagonal	210°±5% at IH 3.8mm
		Horizontal	190°±5% at IH 3.6mm
		Vertical	130°±5% at IH 2.69mm
6.	BFL (Incl. 0.4t IRCF, 0.445t CG)	1.92 mm	
7.	Relative Illumination	50% at FOV 190°	
8.	TV Distortion	NA	
9.	TTL	13.69±0.1 mm	
10.	Chief Ray Angle	14°±1°	
11.	Structure	4G1GM, IRCF	
12.	Thread	M12 x P0.5	



AG OPTICS