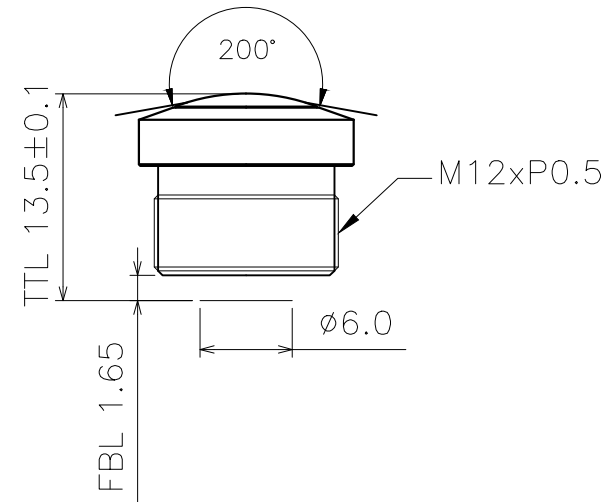
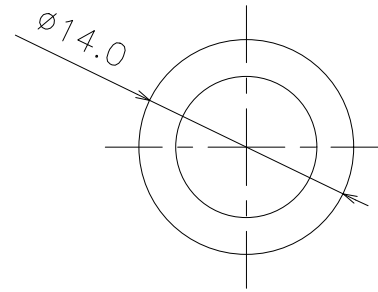


CONFIDENTIAL

REVISIONS					
ZONE	DATE	DESCRIPTION	DRAWN	CHECKED	APPROVED
△					

SPECIFICATION: CAMERA LENS (AG19060)

1.	Sensor Format	1/3.0" (4:3)	
2.	Image Height (mm)	6.0(D) x 4.8(H) x 3.6(V)	
3.	EFL	1.66mm±5%	
4.	F. No.	2.6±5%	
5.	FOV	Diagonal	200°±5% at IH 4.9mm
		Horizontal	190°±5% at IH 4.8mm
		Vertical	131°±5% at IH 3.6mm
6.	BFL	2.48 mm	
7.	Relative Illumination	50% at FOV 190°	
8.	TV Distortion	NA	
9.	TTL (Optical)	13.5 mm	
10.	Chief Ray Angle	16°±4°	
11.	Structure	4G1GM	
12.	Thread	M12 x P0.5	



AG OPTICS