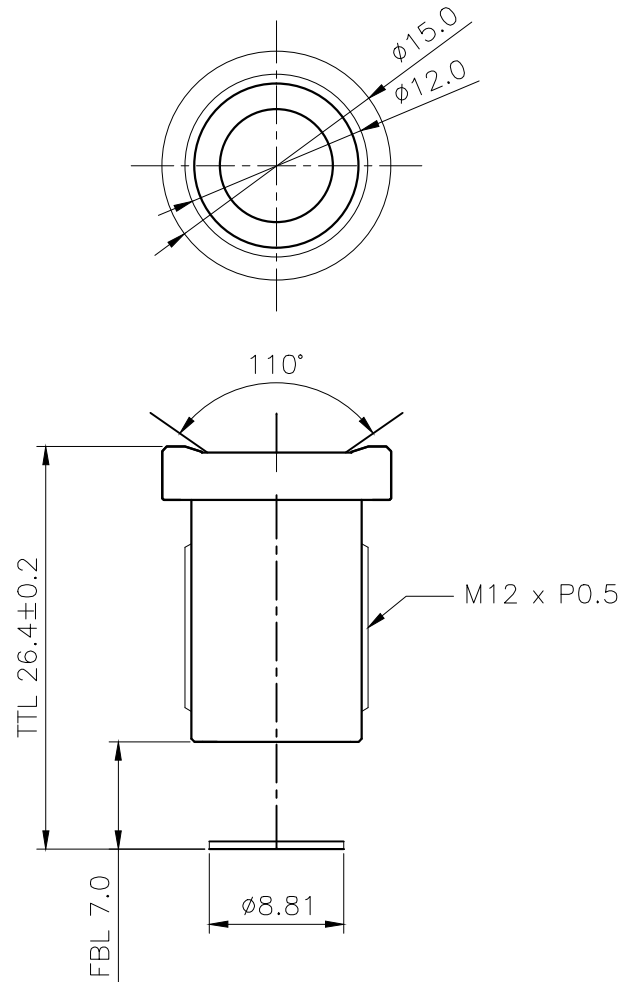


CONFIDENTIAL

REVISIONS					
ZONE	DATE	DESCRIPTION	DRAWN	CHECKED	APPROVED

SPECIFICATION: CAMERA LENS ( AG11088 )

1.	Sensor Size	1/1.55" Sony IMX490 QHD (2560x1440) 3.0um	
2.	Image Height (mm)	8.81 (D) x7.68(H) x 4.32(V)	
3.	Max Image Height	10.0mm	
4.	EFL	5.05mm	
5.	F. No.	2.5±5%	
6.	FOV	Diagonal	110°±5%
		Horizontal	93°±5%
		Vertical	50°±5%
7.	BFL(Incl. Filter & CG 0.8T)	7.81mm	
8.	Relative Illumination	80% at Full Field	
9.	TV Distortion	-17.8%	
10.	TTL	26.4±0.2 mm	
11.	Chief Ray Angle	15°±2'	
12.	Structure	1GM3G Blue Filter	
13.	Thread	M12 x P0.5	
14.	Cap Diameter	ø15.0 mm	



**AG OPTICS**