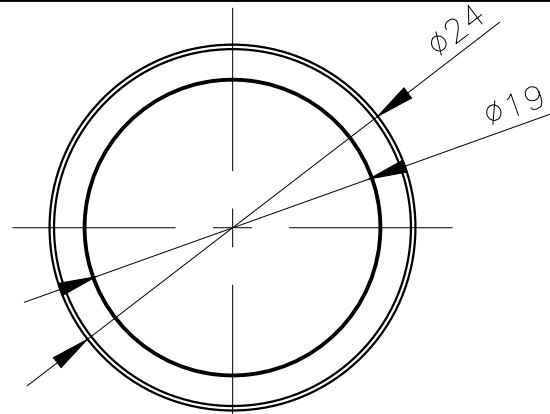


CONFIDENTIAL

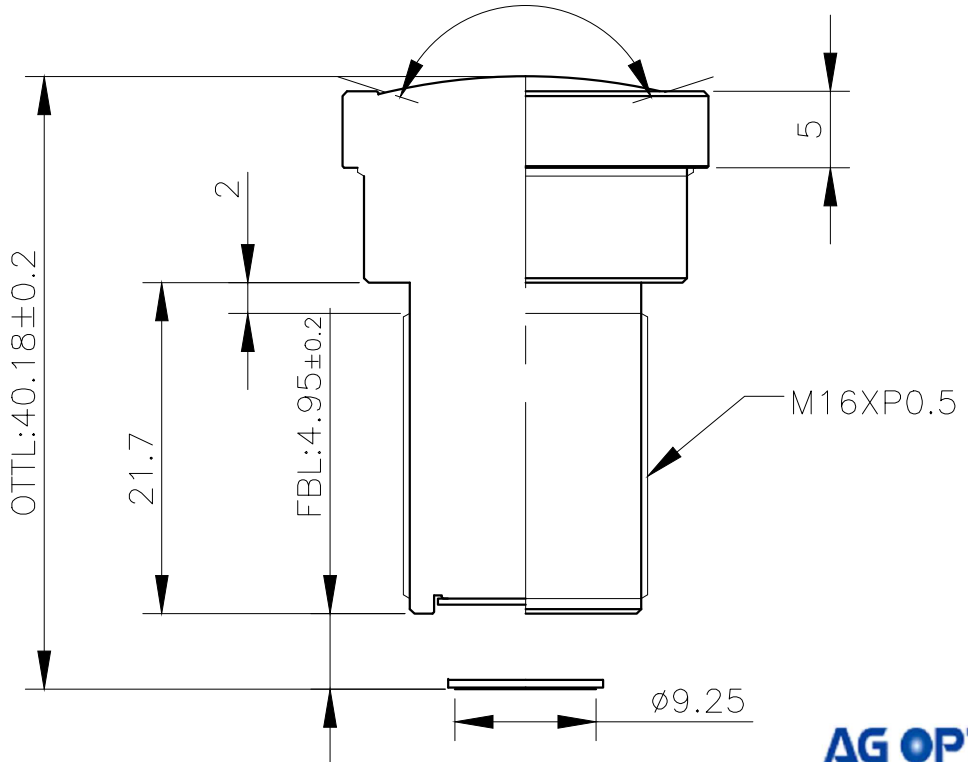
REVISIONS					
ZONE	DATE	DESCRIPTION	DRAWN	CHECKED	APPROVED
△					

SPECIFICATION: CAMERA LENS ( AG14493 )

1.	Sensor Format	1/2" AR0820 8.3MP (3840x2160 2.1um)	
2.	Image Height (mm)	9.25(D) x 8.06(H) x 4.54(V)	
3.	EFL	4.18mm±5%	
4.	F. No.	1.7±5%	
5.	FOV	Diagonal	144°±5% at IH 9.25mm
		Horizontal	120°±5% at IH 8.06mm
		Vertical	64.0°±5% at IH 4.54mm
6.	BFL(Incl. 0.4t Filter & 0.5t CG )	8.34 mm	
7.	Relative Illumination	70% at 1.0F	
8.	TV Distortion	-22.1% (HFOV 120°)	
9.	TTL	40.18±0.2 mm	
10.	Chief Ray Angle	12°±2°	
11.	Structure	1GM5G Filter	
12.	Thread	M16 x P0.5	



FOV: 144°



**AG OPTICS**