





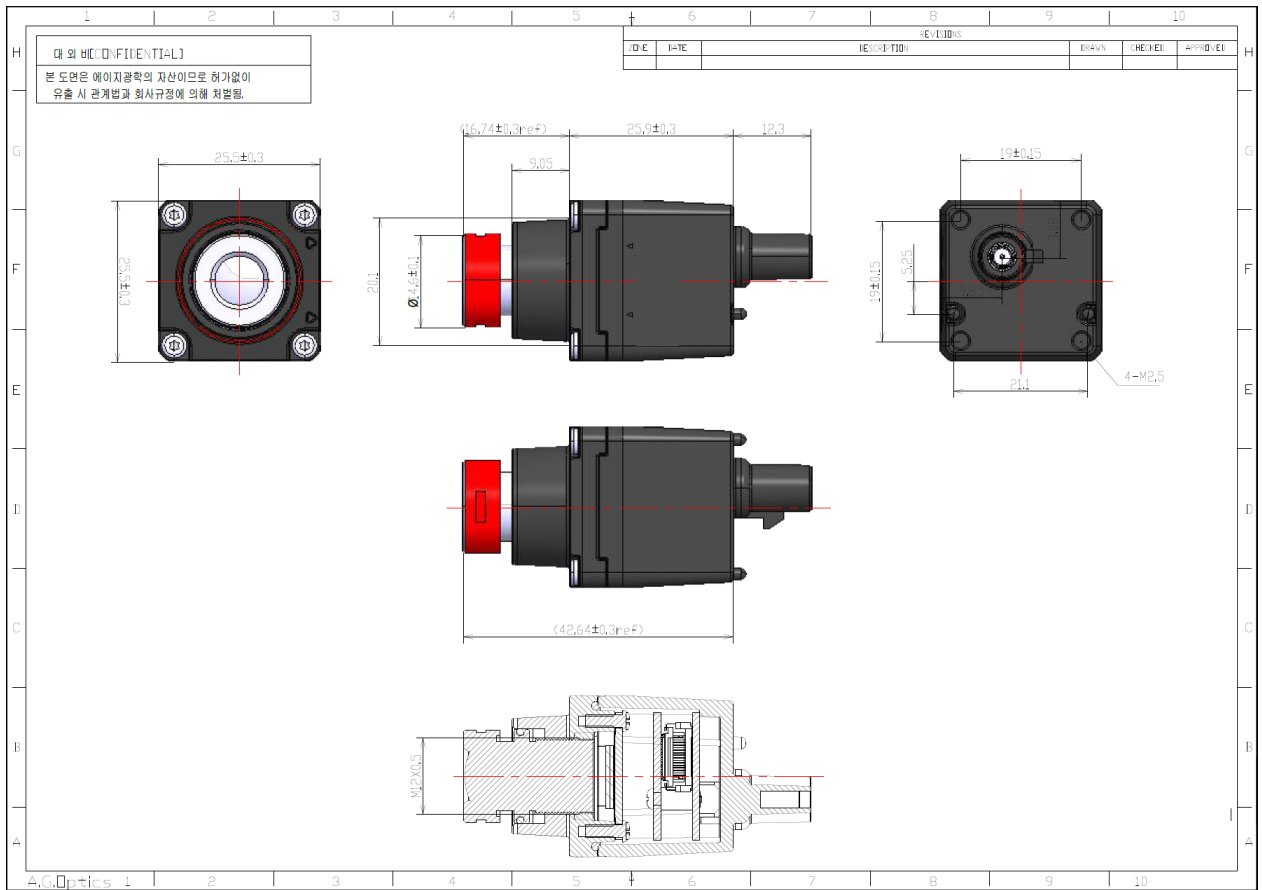
✓ Camera Module Specification

Part Number	AM2OSG-XXX-AR0233
Image Sensor	ONSEMI_AR0233AT
Optical Format	1/2.5"
Resolution	1920(H) X 1080(V)
Pixel size	3um X 3um
Data Format	MIPI CSI-2 YUV 8-Bit
Color / Mono	Color sensor
Frame Rate	30fps @ 1920 X 1080
ISP	GEO GW5300
Serializer	Maxim MAX9295A
Power Supply Range	6 ~ 16 VDC
Connector	FAKRA Z TYPE
Water proof	IP67
Power Consumption	7V 200mA
Operating Temp.	-40°C ~ +105°C
Storage Temp	-40°C ~ +125°C
Size	25.5 X 25.5
LENS F No.	2.0 / 2.4 / 2.0 / 2.0
LENS FOV	H30° / 60° / 100° / 120°

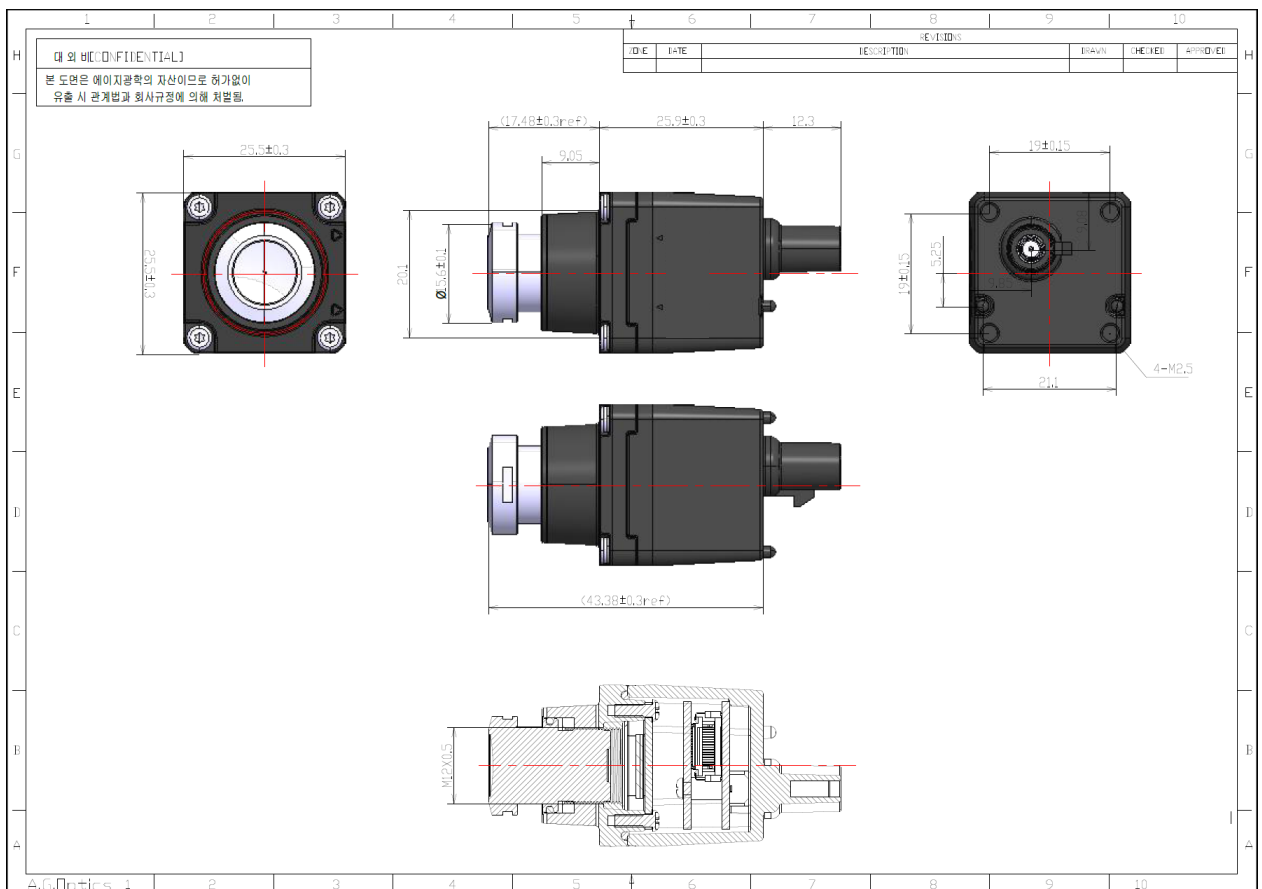
✓ Camera Module Image

AM2OSG-030-AR0233	AM2OSG-060-AR0233	AM2OSG-100-AR0233	AM2OSG-120-AR0233
			

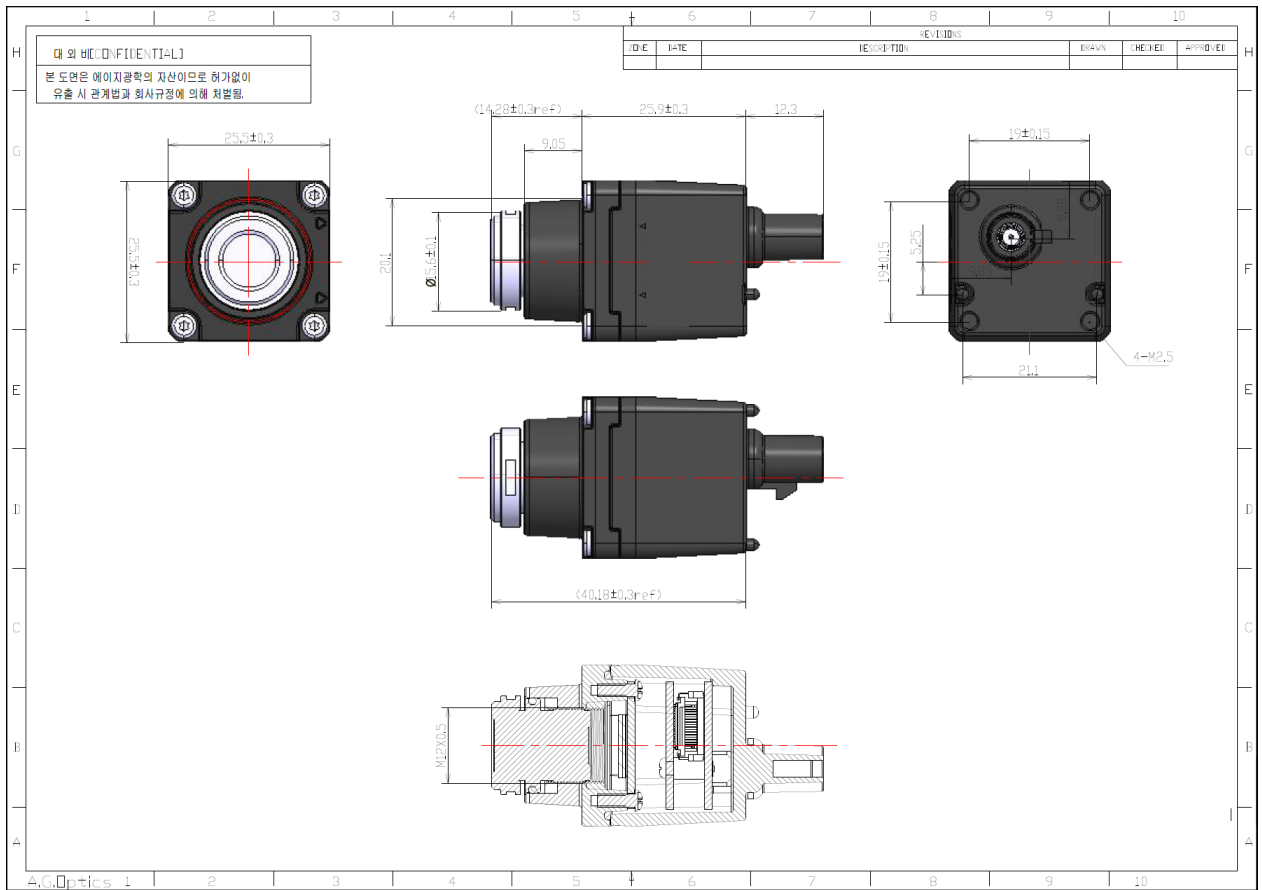
✓ AM2OSG-030-AR0233 Camera Module 2D DRAWING



✓ AM2OSG-060-AR0233 Camera Module 2D DRAWING



✓ AM2OSG-100-AR0233 Camera Module 2D DRAWING



✓ AM2OSG-120-AR0233 Camera Module 2D DRAWING

