





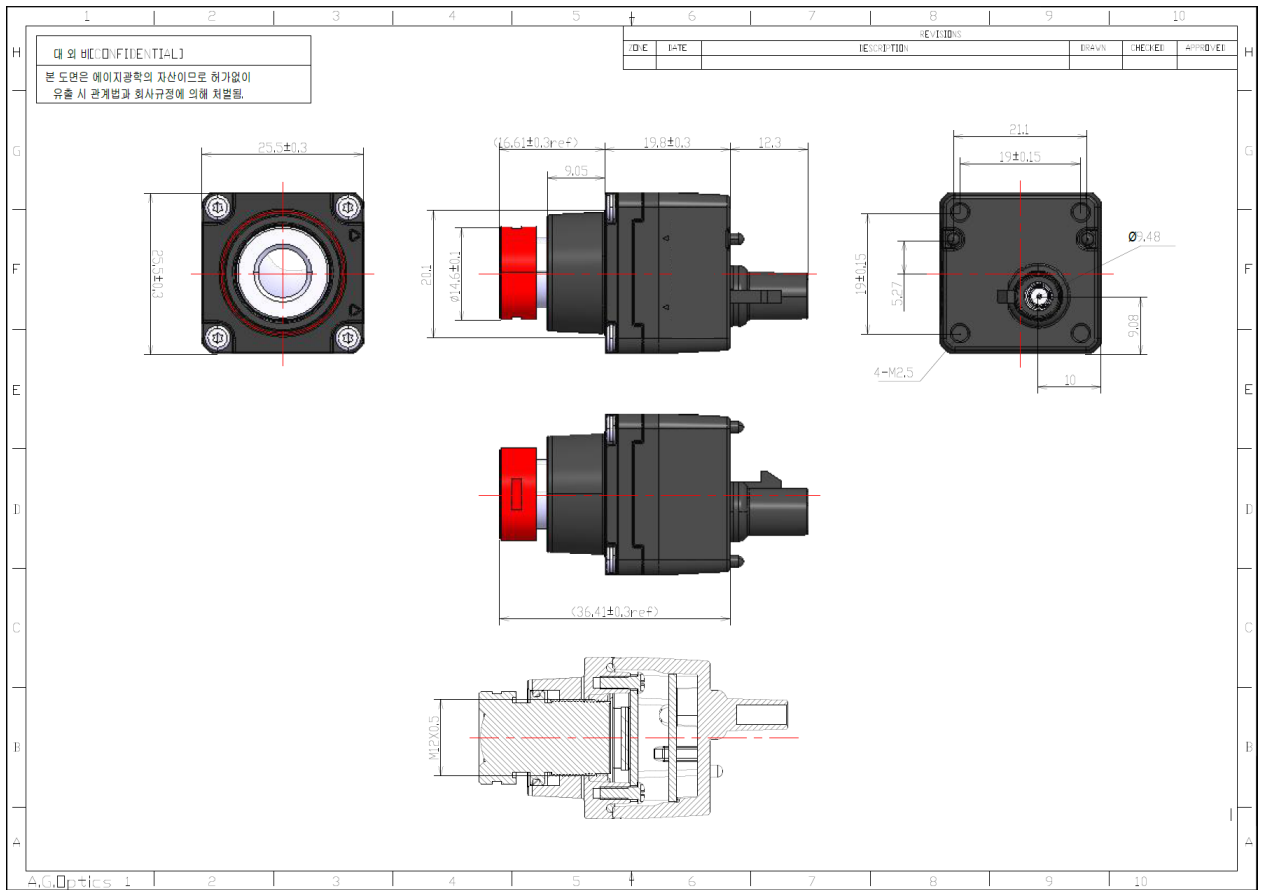
✓ Camera Module Specification

Part Number	AM2SOX-XXX-IMX390
Image Sensor	SONY_IMX390
Optical Format	1/2.7"
Resolution	1920(H) X 1080(V)
Pixel size	3um X 3um
Data Format	MIPI CSI-2 Raw 12, 20, 24bit
Color / Mono	Color sensor
Frame Rate	30fps @ 1920 X 1080
ISP	-
Serializer	Maxim MAX9295A
Power Supply Range	6 ~ 16 VDC
Connector	FAKRA Z TYPE
Water proof	IP67
Power Consumption	7V 190mA
Operating Temp.	-40°C ~ +105°C
Storage Temp	-40°C ~ +125°C
Size	25.5 X 25.5
LENS F No.	2.0 / 2.4 / 2.0 / 2.0
LENS FOV	H30° / 60° / 100° / 120°

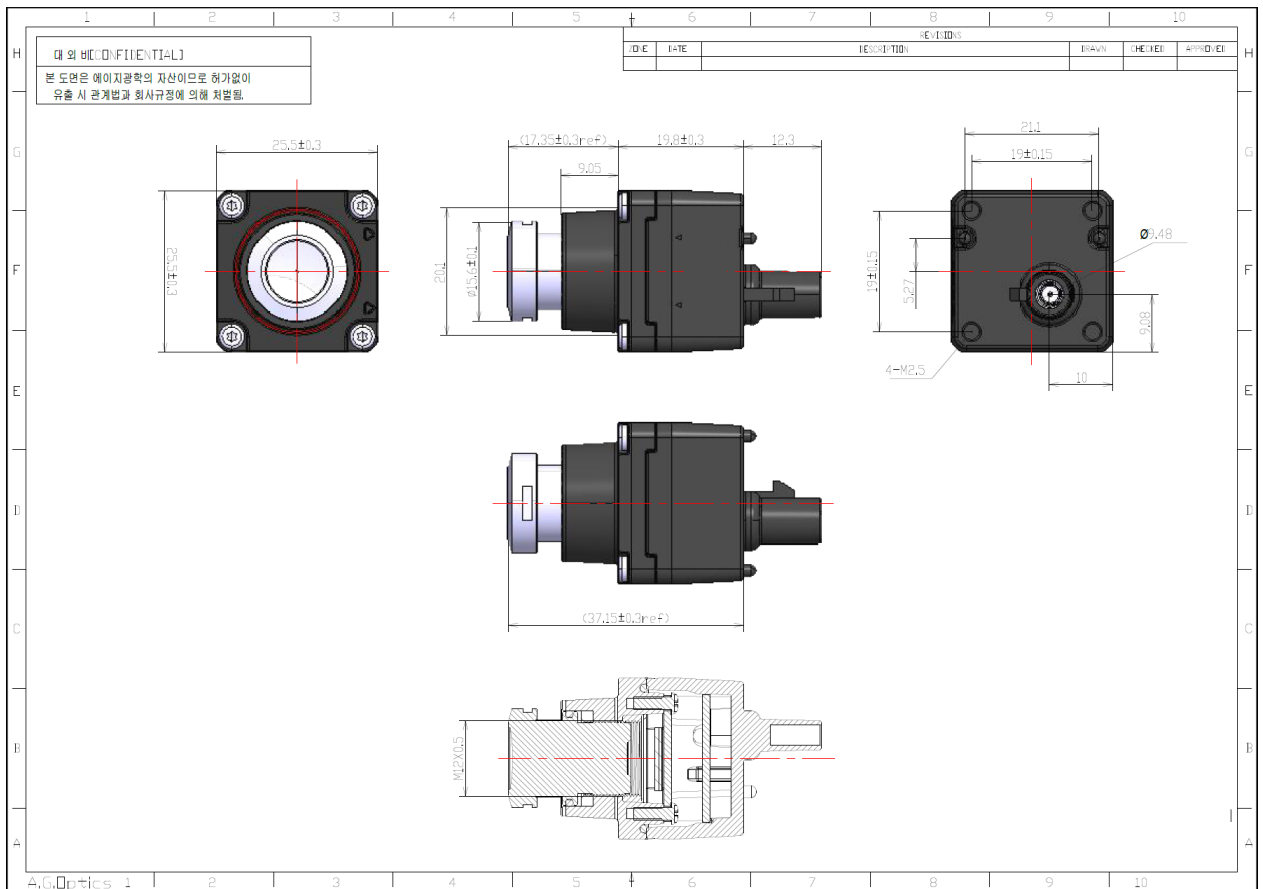
✓ Camera Module Image

AM2SOX-030-IMX390	AM2SOX-060-IMX390	AM2SOX-100-IMX390	AM2SOX-120-IMX390
			

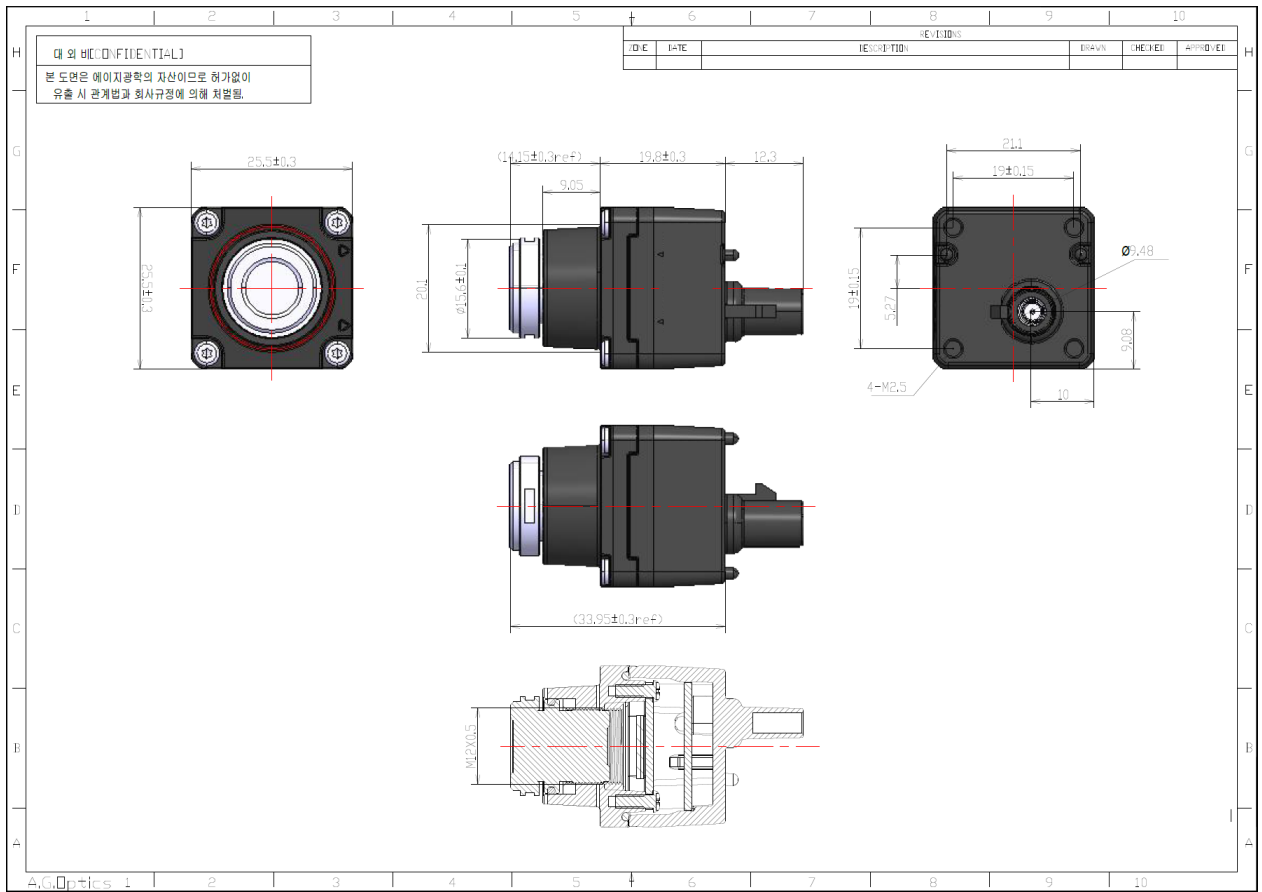
✓ AM2SOX-030-IMX390 Camera Module 2D DRAWING



✓ AM2SOX-060-IMX390 Camera Module 2D DRAWING



✓ AM2SOX-100-IMX390 Camera Module 2D DRAWING



✓ AM2SOX-120-IMX390 Camera Module 2D DRAWING

